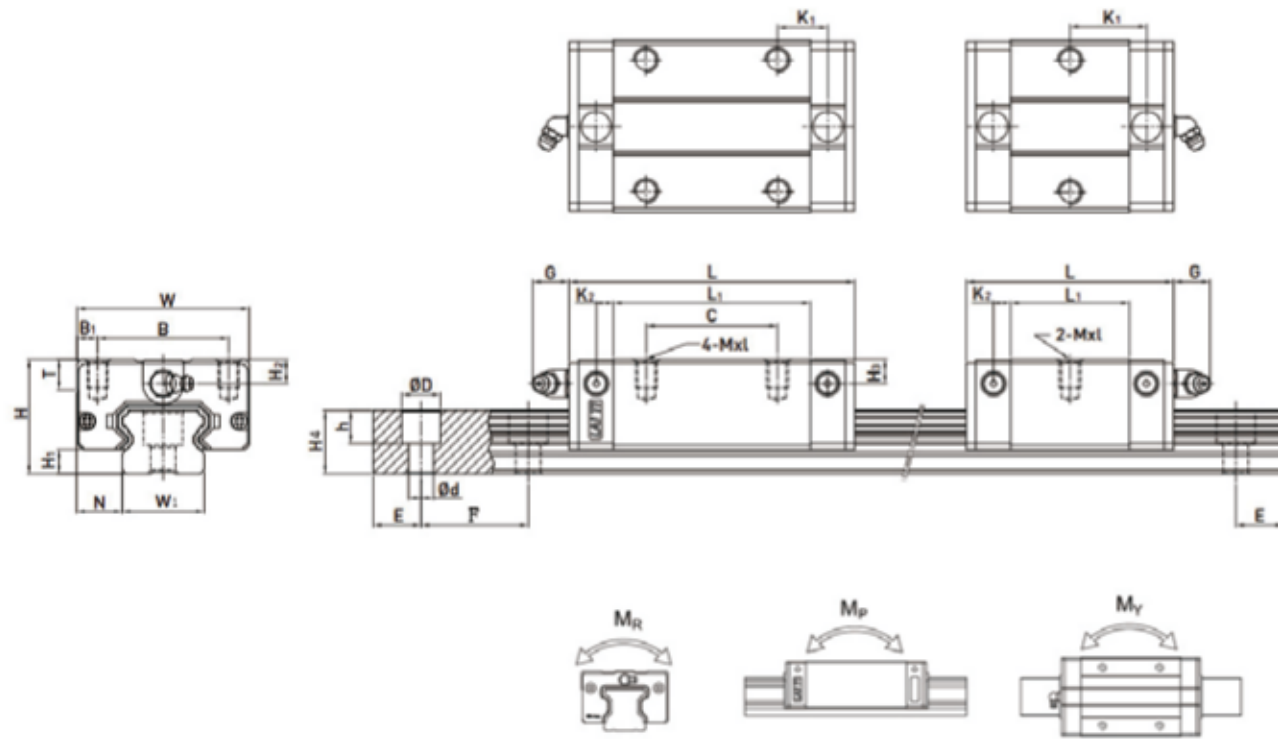


LDE series linear guide dimension table

○ LDEH-SA/LDEH-CA



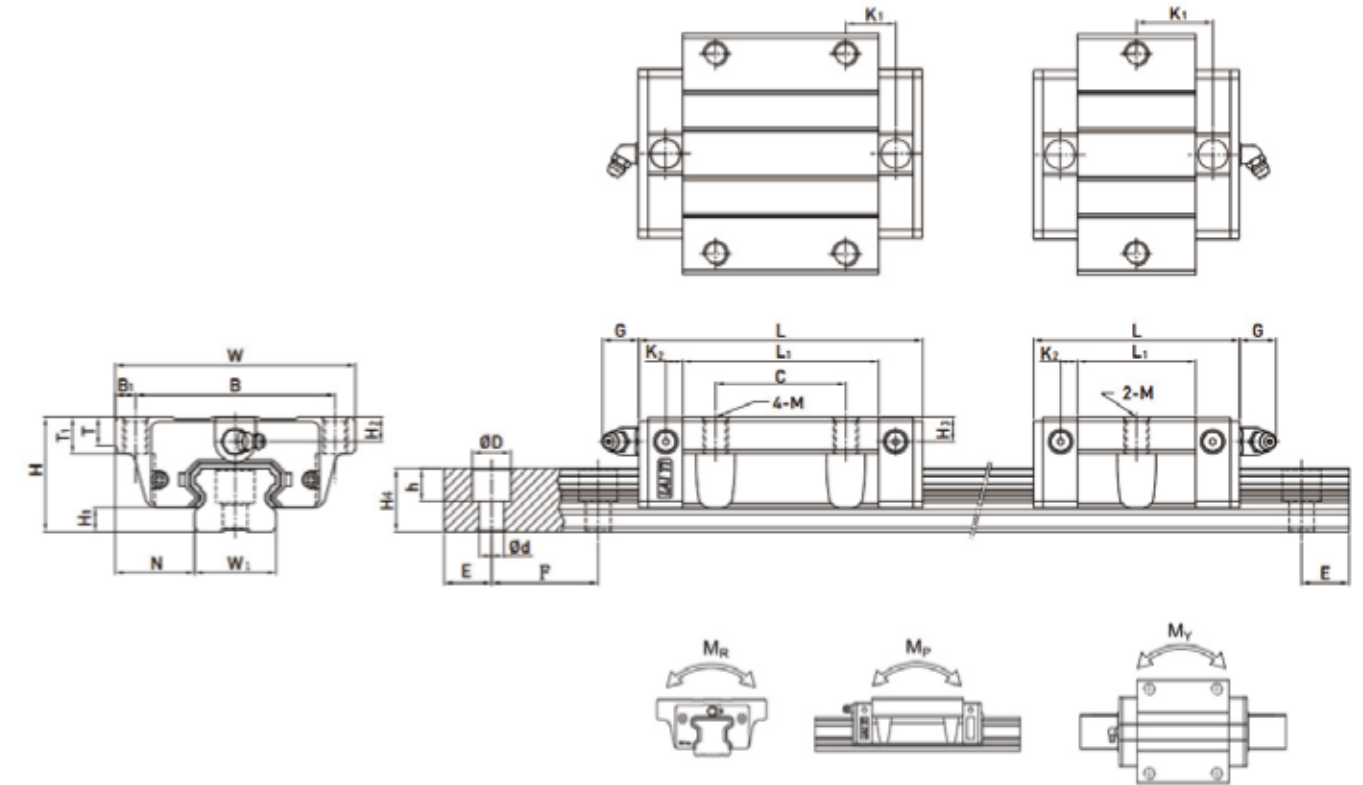
Linear Guide parameter

Note: 1kgf=9.81N

Model	Assembly dimension (mm)			Block dimension (mm)										Rail dimension (mm)										Size of fixed bolts for sliding rails (mm)	Basic dynamic load capacity C ₉₀ (kN)	Basic static load capacity C ₀ (kN)	Static permissible moment			Weight			
	H	H ₁	N	W	B	B ₁	C	L ₁	L	k ₁	k ₂	G	MxL	T	H ₁	H ₂	W ₁	H ₄	D	h	d	F	E				M _R	M _P	M _Y	Block	Rail		
																											KN-m	KN-m	KN-m	kg	kg/m		
LDEH15SA	24	4.5	9.5	34	26	4	-	23.1	40.1	14.8	-	-	-	-	-	-	-	-	-	-	-	-	-	-	-	M3X16	5.35	9.40	0.08	0.04	0.04	0.09	-
LDEH15CA							26	39.8	56.8	10.15	3.5	5.7	M4X6	6	5.5	6	15	12.5	6	4.5	3.5	60	20	M3X16	7.83	16.19	0.13	0.10	0.10	0.15	-		
LDEH20SA	28	6	11	42	32	5	-	29	50	18.75	-	-	-	-	-	-	-	-	-	-	-	-	-	-	M5X7	7.23	12.74	0.13	0.06	0.06	0.15	-	
LDEH20CA							32	48.1	69.1	12.3	4.15	12	M5X7	7.5	6	6	20	15.5	9.5	8.5	6	60	20	M5X16	10.31	21.13	0.22	0.16	0.16	0.24	-		
LDEH25SA	33	7	12.5	48	35	6.5	-	35.5	59.1	21.9	-	-	-	-	-	-	-	-	-	-	-	-	-	-	M6X9	11.40	19.50	0.23	0.12	0.12	0.25	-	
LDEH25CA							35	59	82.6	16.15	4.55	12	M6X9	8	8	8	23	18	11	9	7	60	20	M6X20	16.27	32.40	0.38	0.32	0.32	0.41	-		

LDE series linear guide dimension table

○ LDEW-SA/LDEW-CA



Linear Guide parameter

Note: 1kgf=9.81N

Model	Assembly dimension (mm)			Block dimension (mm)										Rail dimension (mm)										Size of fixed bolts for sliding rails (mm)	Basic dynamic load capacity C ₉₀ (kN)	Basic static load capacity C ₀ (kN)	Static permissible moment			Weight		
	H	H ₁	N	W	B	B ₁	C	L ₁	L	k ₁	k ₂	G	M	T	H ₁	H ₂	W ₁	H ₄	D	h	d	F	E				M _R	M _P	M _Y	Block	Rail	
																											KN-m	KN-m	KN-m	kg	kg/m	
LDEW15SA	24	4.5	18.5	52	41	5.5	-	23.1	40.1	14.8	-	-	-	-	-	-	-	-	-	-	-	-	-	-	M3X16	5.35	9.40	0.08	0.04	0.04	0.12	-
LDEW15CA							26	39.8	56.8	10.15	3.5	5.7	M5	7	5.5	6	15	12.5	6	4.5	3.5	60	20	M3X16	7.83	16.19	0.13	0.10	0.10	0.21	-	
LDEW20SA	28	6	19.5	59	49	5	-	29	50	18.75	-	-	-	-	-	-	-	-	-	-	-	-	-	-	M6	7.23	12.74	0.13	0.06	0.06	0.19	-
LDEW20CA							32	48.1	69.1	12.3	4.15	12	M6	9	6	6	20	15.5	9.5	8.5	6	60	20	M5X16	10.31	21.13	0.22	0.16	0.16	0.32	-	
LDEW25SA	33	7	25	73	60	6.5	-	35.5	59.1	21.9	-	-	-	-	-	-	-	-	-	-	-	-	-	-	M8	11.40	19.50	0.23	0.12	0.12	0.35	-
LDEW25CA							35	59	82.6	16.15	4.55	12	M8	10	8	8	23	18	11	9	7	60	20	M6X20	16.27	32.40	0.38	0.32	0.32	0.59	-	