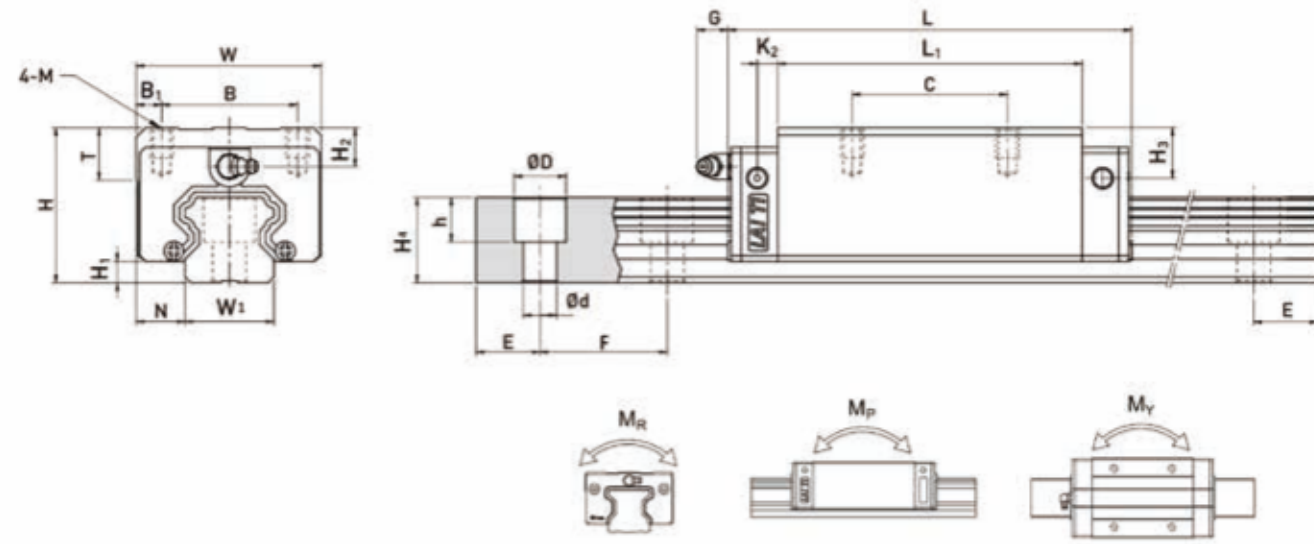


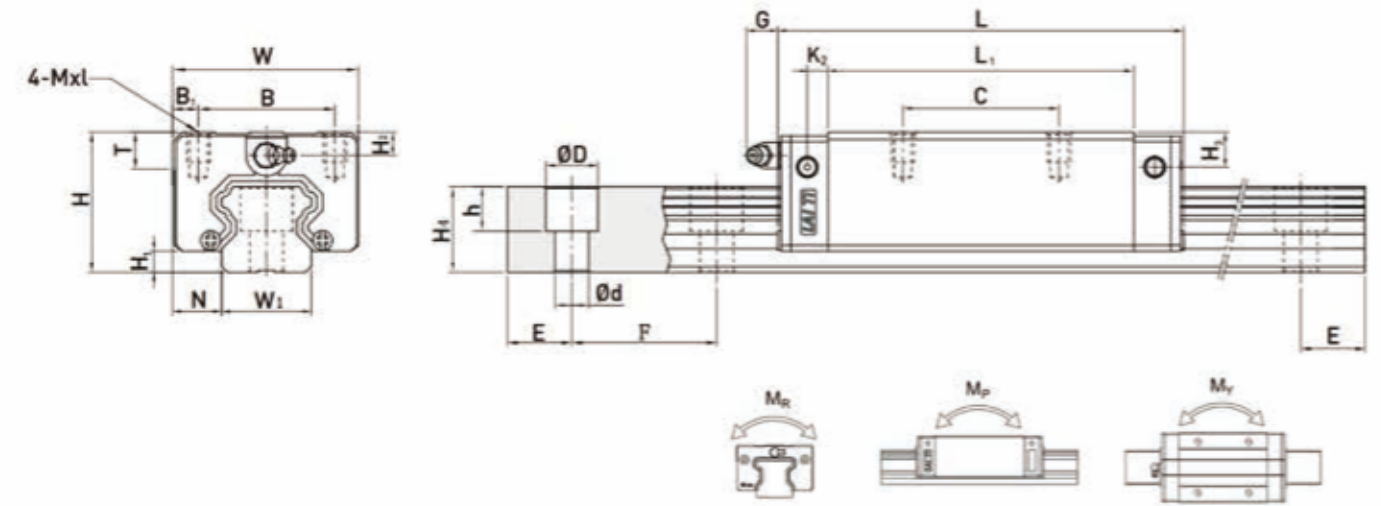
LDH series linear guide dimension table

○ LDHH-CA / LDHH-HA



LDH series linear guide dimension table

○ LDHL-CA / LDHL-HA



Linear Guide parameter

Note: 1kgf=9.81N

Model	Assembly dimension (mm)		Block dimension (mm)																	Rail dimension (mm)										Size of fixed bolts for sliding rails (mm)	Basic dynamic load capacity C _{0d} (kN)	Basic static load capacity C _{0s} (kN)	Static permissible moment			Weight	
																																	M _R	M _P	M _Y	Block	Rail
	H	H ₁	N	W	B	B ₁	C	L ₁	L	k ₂	G	M _x L	T	H ₂	H ₃	W ₁	H ₄	D	h	d	F	E	KN-m	KN-m	KN-m	kg	kg/m										
LDHH15CA	28	4.3	9.5	34	26	4	26	39.4	61.4	4.85	5.3	M4X5	6	7.95	7.7	15	15	7.5	5.3	4.5	60	20	M4X16	11.38	16.97	0.12	0.10	0.10	0.18	1.45							
LDHH20CA	30	4.6	12	44	32	6	36	50.5	77.5	6	12	M5X6	8	6	6	20	17.5	9.5	8.5	6	60	20	M5X16	17.75	27.76	0.27	0.20	0.20	0.30	2.21							
LDHH20HA							50	65.2	92.2																						21.18	35.90	0.35	0.35	0.35	0.39	
LDHH25CA	40	5.5	12.5	48	35	6.5	35	58	84	6	12	M6X8	8	10	9	23	22	11	9	7	60	20	M6X20	26.48	36.49	0.42	0.33	0.33	0.51	3.21							
LDHH25HA							50	78.6	104.6																						32.75	49.44	0.56	0.57	0.57	0.69	
LDHH30CA	45	6	16	60	40	10	40	70	97.4	6	12	M8X10	8.5	9.5	13.8	28	26	14	12	9	80	20	M8X25	38.74	52.19	0.66	0.53	0.53	0.88	4.47							
LDHH30HA							60	93	120.4																						47.27	69.16	0.88	0.92	0.92	1.16	
LDHH35CA	55	7.5	18	70	50	10	50	80	112.4	7	12	M8X12	10.2	16	19.6	34	29	14	12	9	80	20	M8X25	49.52	69.16	1.16	0.81	0.81	1.45	6.30							
LDHH35HA							72	105.8	138.2																						60.21	91.63	1.54	1.40	1.40	1.92	
LDHH45CA	70	9.5	20.5	86	60	13	60	97	139.4	10	12.9	M10X17	16	18.5	30.5	45	38	20	17	14	105	22.5	M12X35	77.57	102.71	1.98	1.55	1.55	2.73	10.41							
LDHH45HA							80	128.8	171.2																						94.54	136.46	2.63	2.68	2.68	3.61	
LDHH55CA	80	13	23.5	100	75	12.5	75	117.7	166.7	11	12.9	M12X18	17.5	22	29	53	44	23	20	16	120	30	M14X45	114.44	148.33	3.69	2.64	2.64	4.17	15.08							
LDHH55HA							95	155.8	204.8																						139.35	196.20	4.88	4.57	4.57	5.49	
LDHH65CA	90	15	31.5	126	76	25	70	144.2	200.2	14	12.9	M16X20	25	15	15	63	53	26	22	18	150	35	M16X50	163.63	215.33	6.65	4.27	4.27	7.00	21.18							
LDHH65HA							120	203.6	259.6																						208.36	303.13	9.38	7.38	7.38	9.82	

Linear Guide parameter

Note: 1kgf=9.81N

Model	Assembly dimension (mm)		Block dimension (mm)																	Rail dimension (mm)										Size of fixed bolts for sliding rails (mm)	Basic dynamic load capacity C _{0d} (kN)	Basic static load capacity C _{0s} (kN)	Static permissible moment			Weight	
																																	M _R	M _P	M _Y	Block	Rail
	H	H ₁	N	W	B	B ₁	C	L ₁	L	k ₂	G	M _x L	T	H ₂	H ₃	W ₁	H ₄	D	h	d	F	E	KN-m	KN-m	KN-m	kg	kg/m										
LDHL15CA	24	4.3	9.5	34	26	4	26	39.4	61.4	4.85	5.3	M4X4	2	3.95	3.7	15	15	7.5	5.3	4.5	60	20	M4X16	11.38	16.97	0.12	0.10	0.10	0.14	1.45							
LDHL25CA	36	5.5	12.5	48	35	6.5	35	58	84	6	12	M6X6	4	6	9	23	22	11	9	7	60	20	M6X20	26.48	36.49	0.42	0.33	0.33	0.42	3.21							
LDHL25HA							50	78.6	104.6																						32.75	49.44	0.56	0.57	0.57	0.57	
LDHL30CA	42	6	16	60	40	10	40	70	97.4	6	12	M8X10	4.5	6.5	10.8	28	26	14	12	9	80	20	M8X25	38.74	52.19	0.66	0.53	0.53	0.78	4.47							
LDHL30HA							60	93	120.4																						47.27	69.16	0.88	0.92	0.92	1.03	
LDHL35CA	48	7.5	18	70	50	10	50	80	112.4	7	12	M8X12	6.2	9	12.6	34	29	14	12	9	80	20	M8X25	49.52	69.16	1.16	0.81	0.81	1.14	6.3							
LDHL35HA							72	105.8	138.2																						60.21	91.63	1.54	1.40	1.40	1.52	
LDHL45CA	60	9.5	20.5	86	60	13	60	97	139.4	10	12.9	M10X17	12	8.5	20.5	45	38	20	17	14	105	22.5	M12X35	77.57	102.71	1.98	1.55	1.55	2.08	10.41							
LDHL45HA							80	128.8	171.2																						94.54	136.46	2.63	2.68	2.68	2.75	
LDHL55CA	70	13	23.5	100	75	12.5	75	117.7	166.7	11	12.9	M12X18	13.5	12	19	53	44	23	20	16	120	30	M14X45	114.44	148.33	3.69	2.64	2.64	3.25	15.08							
LDHL55HA							95	155.8	204.8																						139.35	196.20	4.88	4.57	4.57	4.27	