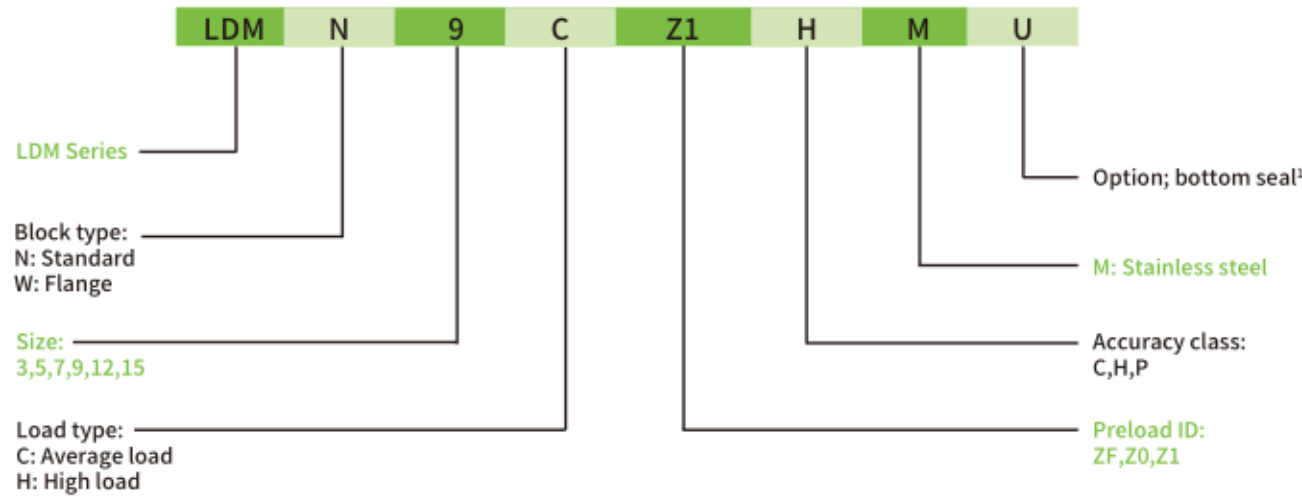
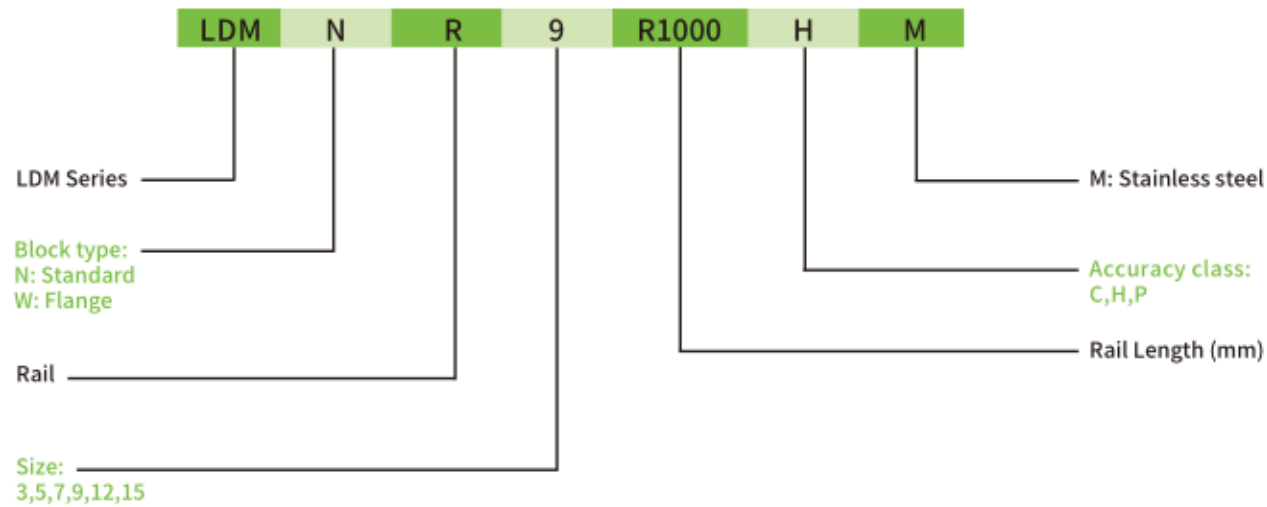


Interchangeable type block product model



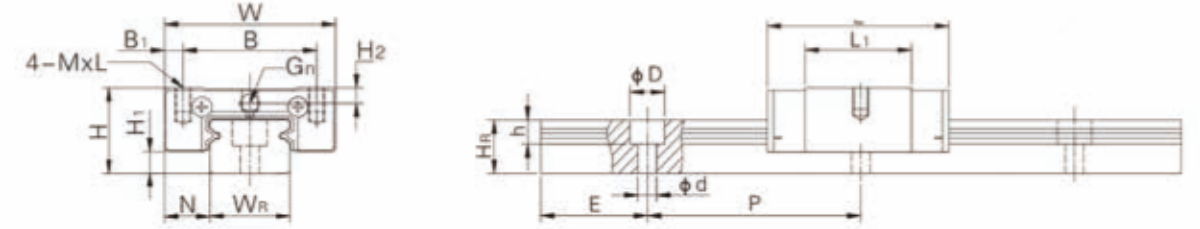
Interchangeable type rail product model



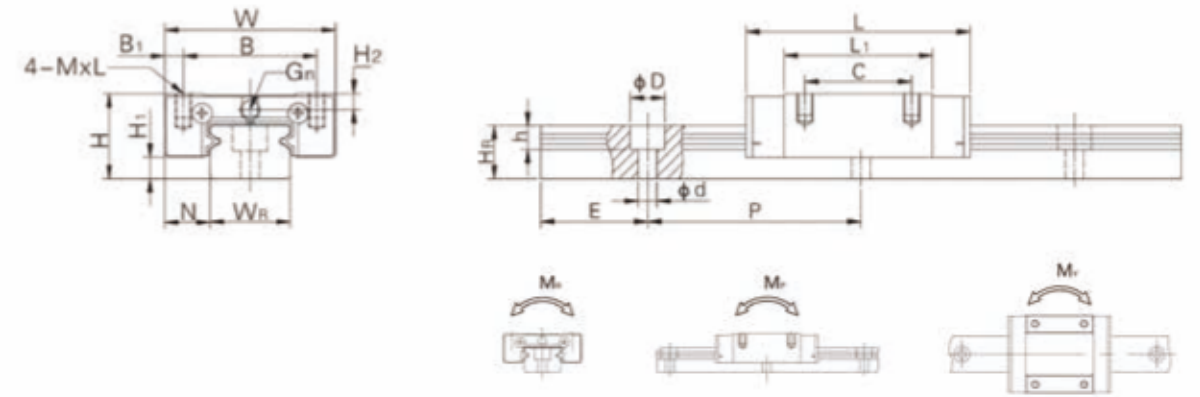
LDM series linear guide dimension table

○ LDMN-C/LDMN-H

MN3, MN5



MN7, MN9, MN12, MN15



Linear Guide Parameter

Note: 1kgf=9.81N

| Model | Assembly Dimension (mm) | Block Dimension(mm) | | | | | | | | | | | Rail Dimension(mm) | | | | | Size of fixed bolts for sliding rails (mm) | Basic dynamic load capacity C(kN) | Basic static load capacity C ₀ (kN) | Static permissible moment | | | Weight | | | | |
|---------|-------------------------|---------------------|-----|----|----|-----|------|------|----------------|--------|----------|-----|--------------------|----------------|----------------|-----|-----|--|-----------------------------------|--|---------------------------|------|-------|----------------|----------------|----------------|-------|------|
| | | H | H1 | N | W | B | B1 | C | L ₁ | L | G | MxL | H ₂ | W _n | H _n | D | h | | | | d | P | E | M _r | M _p | M _v | Block | Rail |
| | | | | | | | | | | | | | | | | | | | | | N-m | N-m | N-m | kg | kg/m | | | |
| LDMN 3C | 4 | 1 | 2.5 | 8 | - | - | 3.5 | 6.7 | 12 | - | M1.6x1.3 | 3 | 2.6 | - | - | 1.6 | 10 | 5 | M1.6x1 | 0.18 | 0.31 | 0.59 | 0.39 | 0.39 | - | - | | |
| LDMN 3H | | | | | | | 5.5 | 10.7 | 16 | | | | | | | | | | | 0.29 | 0.57 | 0.88 | 1.08 | 1.08 | | | | |
| LDMN 5C | 6 | 1 | 3.5 | 12 | 8 | 2 | 9.7 | 16 | - | M2x1.3 | 1 | 5 | 3.7 | 3.6 | 0.8 | 2.4 | 15 | 7.5 | M2x6 | 0.54 | 0.84 | 2 | 1.30 | 1.30 | 0.008 | 0.15 | | |
| LDMN 5H | | | | | | | 12.7 | 19 | | | | | | | | | | | | 0.54 | 0.84 | 2 | 18.62 | 18.62 | 0.026 | | | |
| LDMN 7C | 8 | 1.5 | 5 | 17 | 12 | 2.5 | 8 | 13.5 | 22.5 | - | M2x2.5 | 1.5 | 7 | 4.8 | 4.2 | 2.3 | 2.4 | 15 | 7.5 | M2x6 | 0.98 | 1.24 | 4.7 | 2.84 | 2.84 | 0.010 | 0.22 | |
| LDMN 7H | | | | | | | 13 | 21.8 | 30.8 | | | | | | | | | | | | 1.37 | 1.96 | 7.64 | 4.80 | 4.80 | 0.015 | | |
| LDMN 9C | 10 | 2 | 5.5 | 20 | 15 | 2.5 | 10 | 18.9 | 28.9 | - | M3x3 | 1.8 | 9 | 6.5 | 6 | 3.5 | 3.5 | 20 | 7.5 | M3x8 | 1.86 | 2.55 | 11.76 | 7.35 | 7.35 | 0.016 | 0.38 | |
| LDMN 9H | | | | | | | 16 | 29.9 | 39.9 | | | | | | | | | | | | 2.55 | 4.02 | 19.6 | 18.62 | 18.62 | 0.026 | | |
| LDMN12C | 13 | 3 | 7.5 | 27 | 20 | 3.5 | 15 | 21.7 | 34.7 | - | M3x3.5 | 2.5 | 12 | 8 | 6 | 4.5 | 3.5 | 25 | 10 | M3x8 | 2.84 | 3.92 | 25.48 | 13.72 | 13.72 | 0.034 | 0.65 | |
| LDMN12H | | | | | | | 20 | 32.4 | 45.4 | | | | | | | | | | | | 3.72 | 5.88 | 38.22 | 36.26 | 36.26 | 0.054 | | |
| LDMN15C | 16 | 4 | 8.5 | 32 | 25 | 3.5 | 20 | 26.7 | 42.1 | 4.5 | M3x4 | 3 | 15 | 10 | 6 | 4.5 | 3.5 | 40 | 15 | M3x10 | 4.61 | 5.59 | 45.08 | 21.56 | 21.56 | 0.059 | 1.06 | |
| LDMN15H | | | | | | | 25 | 43.4 | 58.8 | | | | | | | | | | | | 6.37 | 9.11 | 73.5 | 57.82 | 57.82 | 0.092 | | |